
UKT/UKK Series

Dedicated Mechanical Force gauge for Tension or Compression



[Application]

Measuring of the contact pressure for touch panel or keyboard

Measuring of the bonding strength of adhesive tapes and the peel strength of adhesive sheets

*The digital force gauges are more suitable for measuring rapid change of the force such as impact test

[Feature]

All models are equipped with Peak Hold function which captures peak force.

Zero adjustment function for tare weight allows the adjustments of attachment's weight.

[UKT/UKK Series Specification]

Model	UKT	UKK
Stroke	10 mm	
Measuring units	Refer to the following tables	
Display features	Track / Peak (Memory pointer)	
Graduation	100 lines *	
Accuracy	+/-0.3% of F.S	
Operating temperature range	0~+40 degree Celsius	
Weight	300 g	
Accessories	4 attachments for tension Carrying case	5 attachments for compression Carrying case

* 120 lines for 30N, 300N, 3K, 30K, 30lb.

[UKT/UKK Series Specification]

1. UKT Series: For tension

UKT Series [N unit graduation: 100 lines *120 lines]

Model	Capacity	Resolution
UKT-20N	20 N	0.2 N
UKT-30N *	30 N	0.25 N
UKT-50N	50 N	0.5 N
UKT-100N	100 N	1 N
UKT-200N	200 N	2 N
UKT-300N *	300 N	2.5 N

UKT Series [kgf unit graduation: 100 lines *120 lines] Note 1)

Model	Capacity	Resolution
UKT-2K	2 kgf	20 gf
UKT-3K *	3 kgf	25 gf
UKT-5K	5 kgf	50 gf
UKT-10K	10 kgf	100 gf
UKT-20K	20 kgf	200 gf
UKT-30K *	30 kgf	250 gf

UKT Series [lb unit graduation: 100 lines *120 lines] Note 1)

Model	Capacity	Resolution
UKT-5lb	5 lb	0.5 lb
UKT-10lb	10 lb	0.1 lb
UKT-20lb	20 lb	0.2 lb
UKT-30lb *	30 lb	0.25 lb
UKT-50lb	50 lb	0.5 lb

Note 1)

Prohibited to sell Japanese market due to Japanese Measurement standard law.

2. UKK Series: For compression

UKK Series [N unit graduation: 100 lines *120 lines]

Model	Capacity	Resolution
UKK-20N	20 N	0.2 N
UKK-30N *	30 N	0.25 N
UKK-50N	50 N	0.5 N
UKK-100N	100 N	1 N
UKK-200N	200 N	2 N
UKK-300N *	300 N	2.5 N

UKK Series [kgf unit graduation: 100 lines *120 lines] Note 1)

Model	Capacity	Resolution
UKK-2K	2 kgf	20 gf
UKK-3K *	3 kgf	25 gf
UKK-5K	5 kgf	50 gf
UKK-10K	10 kgf	100 gf
UKK-20K	20 kgf	200 gf
UKK-30K *	30 kgf	250 gf

UKK Series [lb unit graduation: 100 lines *120 lines] Note 1)

Model	Capacity	Resolution
UKT-5lb	5 lb	0.5 lb
UKT-10lb	10 lb	0.1 lb
UKT-20lb	20 lb	0.2 lb
UKT-30lb *	30 lb	0.25 lb
UKT-50lb	50 lb	0.5 lb

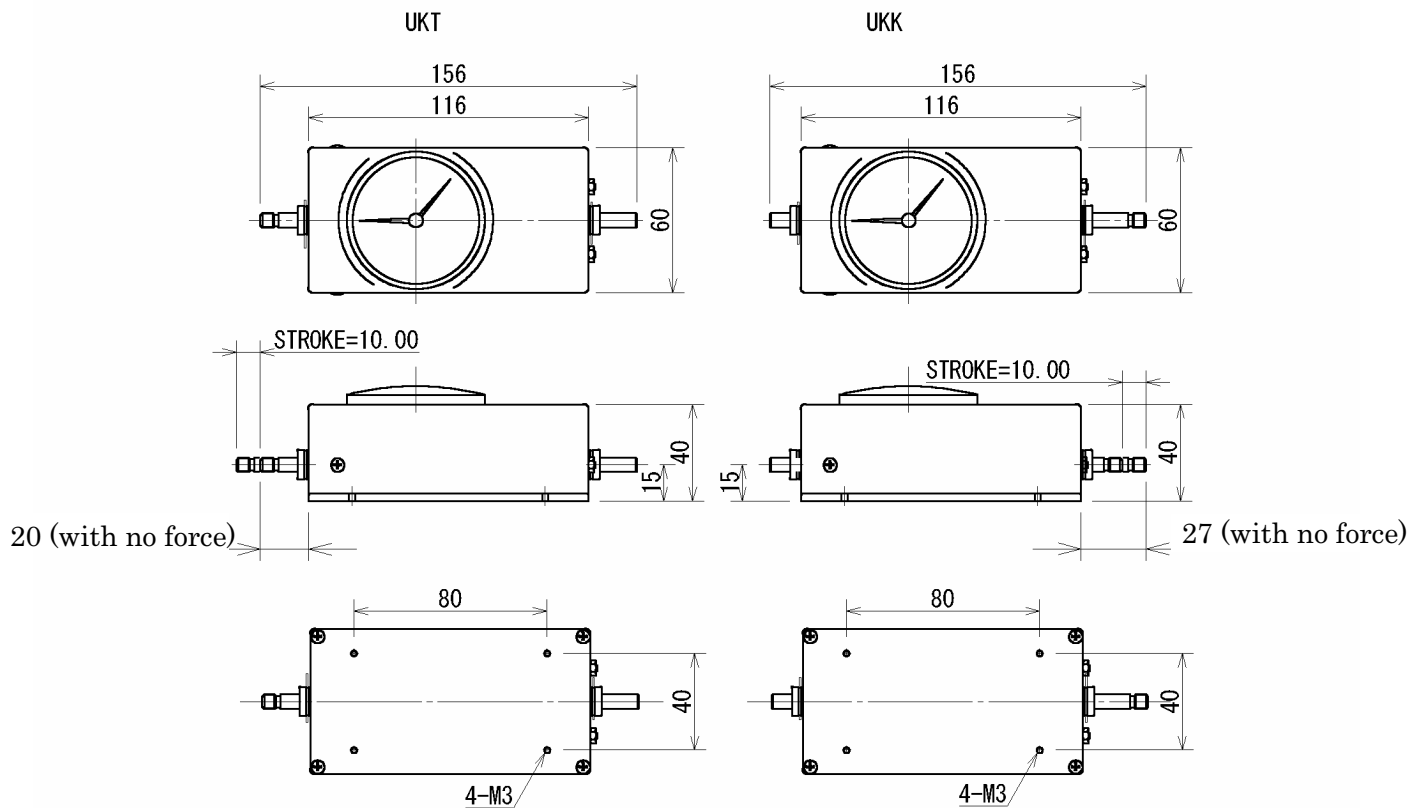
Note 1)

Prohibited to sell Japanese market due to Japanese Measurement standard law.

[Dimension]

UKT

UKK



[Precautions]

- *Do not apply excess force, torque, or impact on the measuring shaft.
- *Do not use the gauge under the condition of the rapid temperature changes, high temperature, high humidity, near water and dusty place.
- *Keep the gauge in the exclusive carrying case when it is not used.
- *The use of the test stand made by Imada is recommended for the stable measuring result.
- *All information is subject to change without prior notice.

TECNIMETAL

IGNACIO ELLACURÍA, 10-12
 TELS. 91 356 22 94 - FAX: 91 355 58 08
 28017 MADRID

E-mail: info@tecnimetal.com