

PSH series

High Capacity Standard Model Mechanical Force Gauge



[Applications]

- Strength tests for various materials (tension test, compression test, shearing test, etc.)
 - Measuring of attraction/repulsion force of solenoid or magnet.
 - Adhesion test of laminated tubes
- * Digital force gauges are suitable for measuring rapid changing force of the destruction test.

[Feature]

- Peak forces are captured by the peak-hold function equipped on all models
- Zero adjustment function for tare weight allows the weight of attachments to be compensated.

[PSH series specification]

Model	PSH
Stroke	10 mm
Measuring unit	Refer to the following tables
Display feature	Real-time Track / Peak-hold mode (Selectable)
Graduation	100 lines *
Accuracy	Within +/- 0.1% of F.S
Operating temperature	0 to+40 degree Celsius
Weight	3.1 kg
Accessories	6 attachments Handles (2 pcs.) Force gauge mounting plate bolts (4 pcs.)

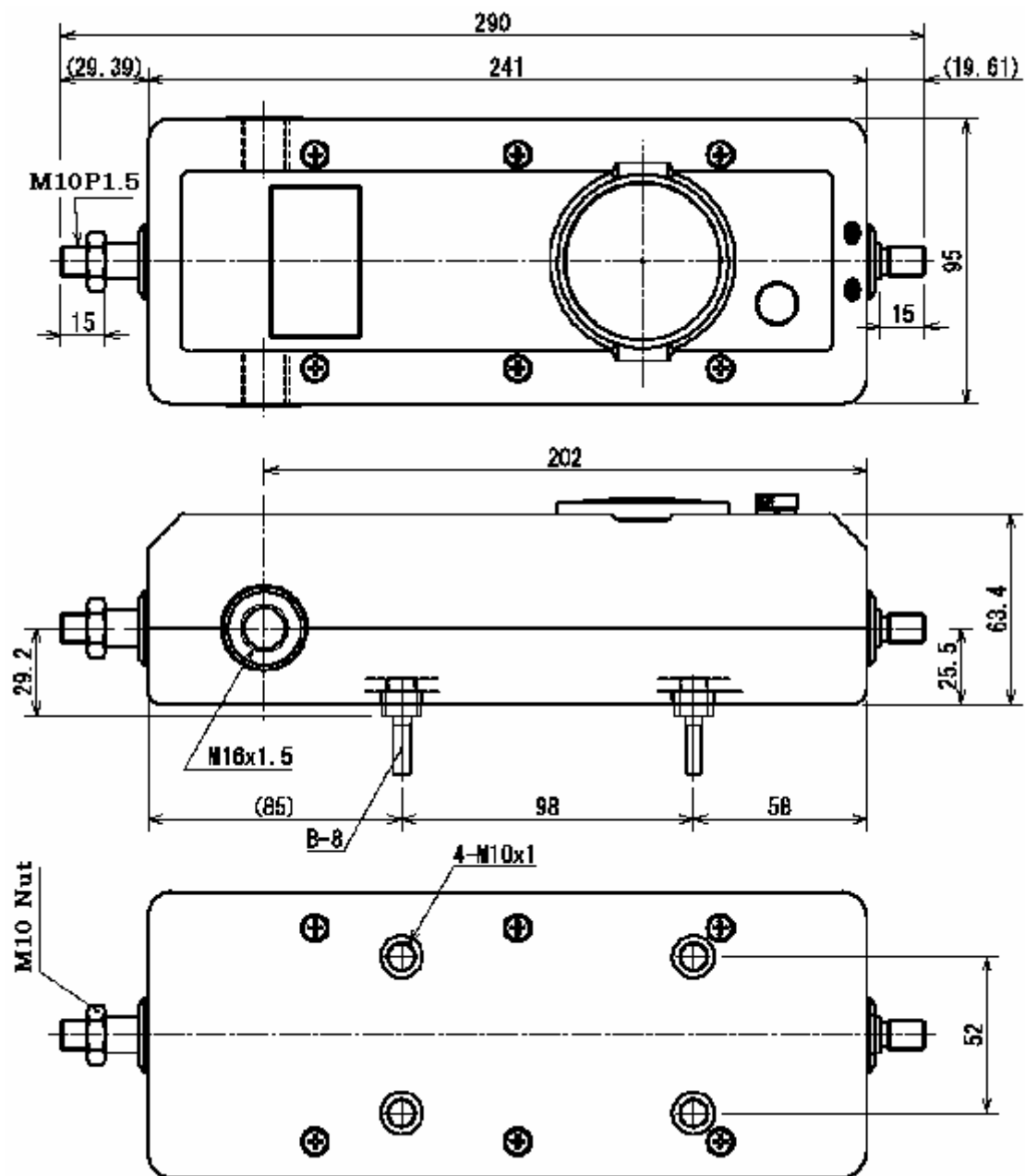
* 120 lines for 3000N, 300K, 300lb

[PSH series available models]

Model	Capacity	Resolution	Remark
PSH-500N	500N	5N	
PSH -1000N	1000N	10N	
PSH -2000N	2000N	20N	
PSH -3000N *	3000N	25N	
PSH-50K	50kgf	0.5kgf	Not available for Japanese market due to the Japanese measurement standards law. (Available only for overseas market)
PSH-100K	100kgf	1kgf	
PSH-200K	200kgf	2kgf	
PSH-300K *	300kgf	2.5kgf	
PSH-200lb	200lb	2lb	Not available for Japanese market due to the Japanese measurement standards law. (Available only for overseas market)
PSH-300lb *	300lb	2.5lb	
PSH-500lb	500lb	5lb	

* Graduation: 120 lines

[Dimensional drawing]



[Precautions]

- Do not apply strong force exceeding its capacity, impact, or torsion stress on the sensing shaft.
- Do not use the gauge under the condition of rapid temperature changes, high temperature, high humidity, near water and dusty places.
- The mounting bolts attached must be used for setting-up the gauge
- Combining with Imada's test stand, more stable measuring becomes possible.
- Keep the gauge in the exclusive carrying case when it is not used.
- All information is subject to change without prior notice.